

» NOVOS 3 CO₂ + VOC

Room sensor for air quality with optional temperature and humidity

thermokon[®]
HOME OF SENSOR TECHNOLOGY

Datasheet

Subject to technical alteration
Issue date: 20.08.2019 • A101

novos



With design cover (left), standard design w/o design cover (right)

» APPLICATION

Room sensor for recording CO₂ content and additionally temperature and humidity (relative, absolute, enthalpy, dew point). The maintenance-free sensor creates the conditions for a pleasant indoor climate and well-being. Typical applications are schools, office buildings, hotels, cinemas or similar. The device is available with additional LED display (traffic light function) with color change function for displaying the measured values. The threshold values can be individually configured via the Thermokon NOVOSapp.

» TYPES AVAILABLE

Room air quality sensor CO₂ + VOC – active 2x 0..10 V | 2x4..20 mA

NOVOS 3 CO₂ + VOC VV
NOVOS 3 CO₂ + VOC AA

Room air quality sensor CO₂ + VOC + temperature – active 3x 0..10 V | 3x 4..20 mA

NOVOS 3 CO₂ + VOC Temp 3xV
NOVOS 3 CO₂ + VOC Temp 3xA

Room air quality sensor CO₂ + VOC + temperature + humidity – active 4xV 0..10 V | 4xA 4..20 mA

NOVOS 3 CO₂ + VOC Temp_rH 4xV
NOVOS 3 CO₂ + VOC Temp_rH 4xA

» SECURITY ADVICE – CAUTION



The installation and assembly of electrical equipment should only be performed by authorized personnel.

The product should only be used for the intended application. Unauthorised modifications are prohibited! The product must not be used in relation with any equipment that in case of a failure may threaten, directly or indirectly, human health or life or result in danger to human beings, animals or assets. Ensure all power is disconnected before installing. Do not connect to live/operating equipment.

Please comply with

- Local laws, health & safety regulations, technical standards and regulations
- Condition of the device at the time of installation, to ensure safe installation
- This data sheet and installation manual

» NOTES ON DISPOSAL



As a component of a large-scale fixed installation, Thermokon products are intended to be used permanently as part of a building or a structure at a pre-defined and dedicated location, hence the Waste Electrical and Electronic Act (WEEE) is not applicable. However, most of the products may contain valuable materials that should be recycled and not disposed of as domestic waste. Please note the relevant regulations for local disposal.

» REMARKS TO ROOM SENSORS

Location and Accuracy of Room Sensors

The room sensor should be mounted in a suitable location for measuring accurate room temperature. The accuracy of the temperature measurement also depends directly on the temperature dynamics of the wall. It is important, that the back plate is completely flush to the wall so that the circulation of air occurs through the vents in the cover. Otherwise, deviations in temperature measurement will occur due to uncontrolled air circulation. Also the temperature sensor should not be covered by furniture or similar devices. Mounting next to doors (due to draught) or windows (due to colder outside wall) should be avoided. The temperature dynamics of the wall will influence the temperature measurement. Various wall types (brick, concrete, dividing and hollow brickwork) all have different behaviours with regards to thermal variations.

Surface and Flush Mounting

The temperature dynamics of the wall influence the measurement result of the sensor. Various wall types (brick, concrete, dividing and hollow brickwork) have different behaviours with regard to thermal variations. A solid concrete wall responds to thermal fluctuations within a room in a much slower way than a light-weight structure wall. Room temperature sensors installed in flush boxes have a longer response time to thermal variations. In extreme cases they detect the radiant heat of the wall even if the air temperature in the room is lower for example. The quicker the dynamics of the wall (temperature acceptance of the wall) or the longer the selected inquiry interval of the temperature sensor is the smaller the deviations limited in time are.

» BUILD-UP OF SELF-HEATING BY ELECTRICAL DISSIPATIVE POWER

Temperature sensors with electronic components always have a dissipative power, which affects the temperature measurement of the ambient air. The dissipation in active temperature sensors shows a linear increase with rising operating voltage. This dissipative power has to be considered when measuring temperature. In case of a fixed operating voltage ($\pm 0,2$ V) this is normally done by adding or reducing a constant offset value. As Thermokon transducers work with a variable operating voltage, only one operating voltage can be taken into consideration, for reasons of production engineering. Transducers 0..10 V / 4..20 mA have a standard setting at an operating voltage of 24 V =. That means, that at this voltage, the expected measuring error of the output signal will be the least. For other operating voltages, the offset error will be increased by a changing power loss of the sensor electronics. If a re-calibration should become necessary later directly on the sensor, this can be done by means of the NOVOSapp software and an optional Bluetooth interface. (additionally with sensors with BUS interface via an appropriate software variable).

Remark: Occurring draft leads to a better carrying-off of dissipative power at the sensor. Thus temporally limited fluctuations might occur upon temperature measurement.

» APPLICATION NOTICE FOR HUMIDITY SENSORS

Refrain from touching the sensitive humidity sensor/element. Touching the sensitive surface will void warranty.

For standard environmental conditions re-calibration is recommended once a year to maintain the specified accuracy.

When exposed to high ambient temperature and/or high levels of humidity or presence of aggressive gases (i.e. chlorine, ozone, ammonia) the sensor element may be affected and re-calibration may be required sooner than specified. Re-calibration and deterioration of the humidity sensor due to environmental conditions are not subject of the general warranty.

» INFORMATION ABOUT SELF-CALIBRATION FEATURE CO2

Virtually all gas sensors are subject to some sort of drift. The degree of drift is partially dependent on the use of quality components and good design. But even with good components and excellent design, a small amount of drift can still occur in the sensor that may ultimately result in the need for a sensor to be recalibrated. The natural drift of the sensor is caused by:

- Dust/dirt • Aggressive chemicals absorbed inside chamber / optical elements • Corrosion inside chamber (high rh, condensation) • Temperature cycles causing mechanical stress • Electron/hole migration in the photo detector's semiconductor • Drift of photo amplifiers • External mechanical stress on chamber • Light source wear-off

Most of the effects listed above will be compensated by the automatic self-calibration of the sensor's dual channel technology. In contrast to commonly used ABC-Logic self-calibrating sensors with dual channel technology are suitable for all applications including those operating 24 hours, 7 days a week, for example hospitals. However some effects cannot be compensated automatically and may result in a very gradual natural drift of a few ppm per month. This natural drift is not covered by Thermokon's 5-year warranty.

» INFORMATION ABOUT INDOOR AIR QUALITY CO₂

EN 13779 defines several classes for indoor air quality:

| Category | CO ₂ content above the content in outdoor air in ppm | | Description |
|----------|---|----------------|-----------------------------|
| | Typical range | Standard value | |
| IDA1 | <400 ppm | 350 ppm | Good indoor air quality |
| IDA2 | 400.. 600 ppm | 500 ppm | Standard indoor air quality |
| IDA3 | 600..1.000 ppm | 800 ppm | Moderate indoor air quality |
| IDA4 | >1.000 ppm | 1.200 ppm | Poor indoor air quality |

» APPLICATION NOTICE FOR AIR QUALITY SENSORS VOC

Unlike CO₂ sensors, which specifically measure CO₂, mixed gas sensors detect a wide range of gases. The sensor signal does not indicate the type of gas or its concentration in ppm. Mixed gas sensors detect gases and vapours consisting of carbohydrates, or more generally gases that can be oxidised (burnt): Odours, perfume, cleaning fluid scent, tobacco smoke, new materials fumigations (furniture, carpets, paint, glue ...).

Unlike CO₂, which humans cannot sense, the amount of odours (VOC) indicates the level of air quality. VOC sensors have proven their value in a multitude of applications for many years.

Measuring principle:

A heated tin dioxide semiconductor sensor burns (oxidizes) organic molecules that come into contact with it, thereby changing the resistance of the semiconductor. The change in resistance is characteristic for the type and concentration of the molecules. Gas mixtures such as air produce a mixed signal that can not be deduced from individual components. CO₂ can not be detected because it can not be burned.

Refrain from touching the sensor's element sensitive surface. Touching the sensitive surface element will void warranty.

» INFORMATION ABOUT CALIBRATION VOC

Similar to a catalyst, the sensitivity of the sensor decreases over time. The VOC sensor compensates for this decrease in sensitivity through regular auto-calibration.

The measured values are recorded over a period of 24 hours. The lowest value within this period is used as the reference value ("new zero level") for clean, fresh air. Measured thereafter, lower readings result in an immediate adjustment of the reference value.

» PRODUCT TESTING AND CERTIFICATION



Declaration of conformity

The declaration of conformity of the products can be found on our website <https://www.thermokon.de/>.

» TECHNICAL DATA

| | | | | |
|--|--|--------------------------------|--|---|
| Measuring values | CO ₂ + VOC + temperature (optional) + humidity (optional) | | | |
| Output voltage (type-dependent) | VV 3xV 4xV 2x/3x/4x 0..10 V or 0..5 V, min load 10 kΩ (live-zero configuration 1..10/2..10 V) configurable via Thermokon NOVOSapp | | | |
| Output Amp (type-dependent) | AA 3xA 4xV 2x/3x/4x 4..20 mA, max. load 500 Ω | | | |
| Power supply (type-dependent) | VV 3xV 4xV 15..35 V = or 19..29 V ~ SELV | | AA 3xA 4xA 15..35 V = SELV | |
| Power consumption (type-dependent) | VV 3xV 4xV typ. 0,4 W (24 V =) 0,8 VA (24 V ~) | | AA 3xA 4xA max. 0,5 W / 24 V = | |
| Measuring range humidity (type-dependent) | relative humidity (default) 0..100% rH | Enthalpy 0..85 kJ/kg | absolute humidity 0..50 0..80 g/m ³ , | dew point 0..+50 -20..+80 °C, |
| | configurable via Thermokon NOVOSapp or BUS | | | |
| Measuring range CO₂ | 0..2000 ppm 0..5000 ppm (optional configurable via Thermokon NOVOSapp or BUS) | | | |
| Output signal range temp. *scaling analogue output | 0..+50 °C (default setting), selectable from 4 temperature ranges -50..+50 0..+50 -15..+35 -20..+80 °C, configurable via NOVOSapp | | | |
| Accuracy temperature (type-dependent) | ±0,5K (typ. at 21 °C) | | | |
| Accuracy humidity (type-dependent) | ±2% between 10..90% rH (typ. at 21 °C) | | | |
| Accuracy CO₂ | ±50 ppm+ 3 % of reading (typ. at 21 °C, 50% rH, 1015 hPa) | | | |
| Calibration | self-calibration, CO ₂ : Dual Channel | | | |
| Sensor | VOC sensor (heated metal oxide semiconductor), CO ₂ : NDIR (non-dispersive, infrared) | | | |
| Display | RGB-LED indicating air quality (CO ₂ , traffic light function 'TLF'), optional | | | |
| Enclosure | PC V0, pure white, design cover (optional) | | | |
| Protection | IP20 according to DIN EN 60529 | | | |
| Cable entry | rear entry, breaking points bottom, drill mark top | | | |
| Connection electrical | tool-free mountable spring terminal, max. AWG16 | | | |
| Ambient condition | 0..50 °C, max. 85% non-condensing | | | |
| Mounting | surface mounted on flush-mounting box (Ø=2.36in. 60 mm) or to be mounted flat onto the surface using screws, base part can be mounted and wired separately | | | |
| Notes | mixed gas sensors detect gases and vapours which can be oxidised (burnt): Body odours, tobacco smoke, exhalations emitted by materials (furniture, carpets, paint, glue ...) | | | |

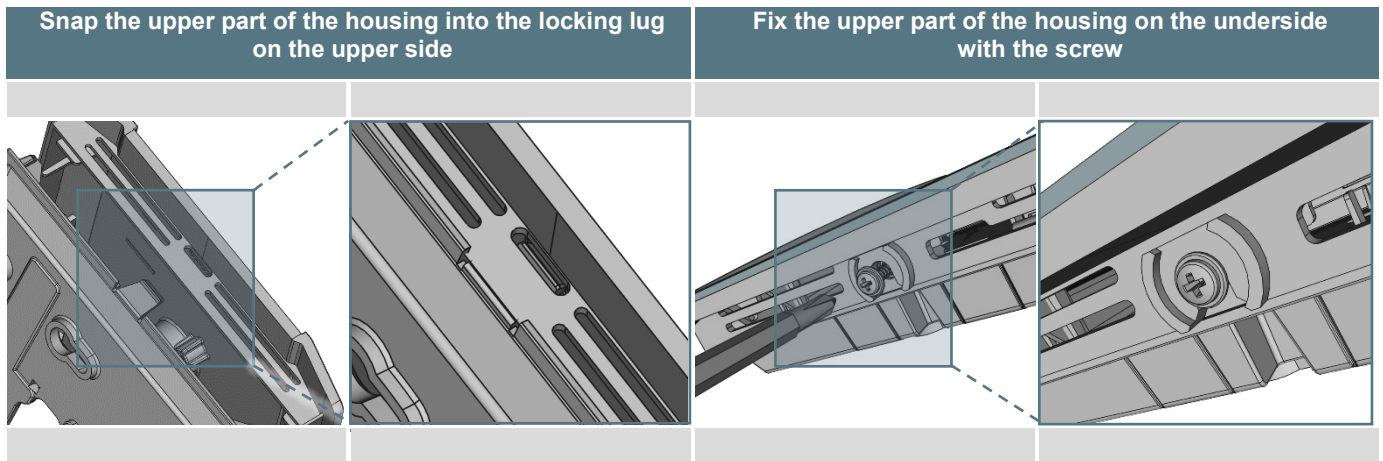
» MOUNTING ADVICES

Please make sure that the device is de-energized if you want to install it!

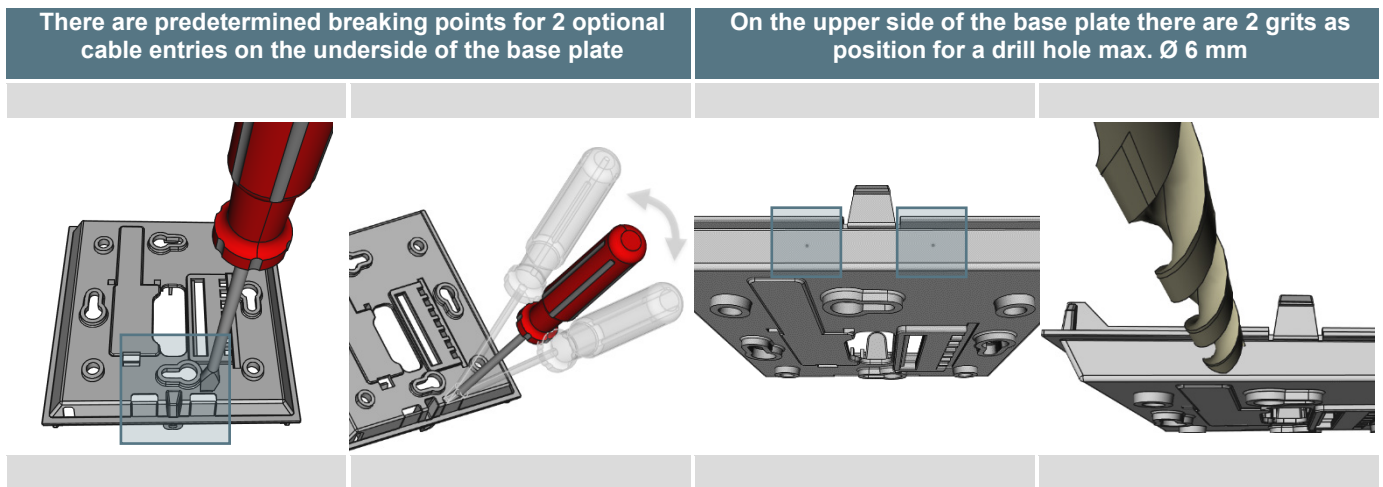
The installation can be performed on the flat wall surface or on a flush-mounted box. A representative place should be selected. Sunshine and draft, e.g. in the installation tube should be avoided, so that the measurement result is not falsified. Seal the end of the installation tube.

- For wiring, the upper part of the device must be removed from the base plate. Base plate and upper part are detachably connected to each other by means of locking lugs.
- The mounting of the base plate on the flat wall surface is done with rawplugs and screws.
- Finally, the device is attached to the base plate and fixed with the screw.

Housing open / close



Cable entry



When using a drill, you should absolutely ensure that the base plate is firmly clamped. Before drilling, the pressure must be reduced and carefully drilled. A sudden break-through of the drill bit can be the result.

» CONFIGURATION



The Thermokon bluetooth dongle with micro-USB is required for communication between NOVOSapp and NOVOS products (Item No.: 668262). Commercial bluetooth dongles are not compatible.



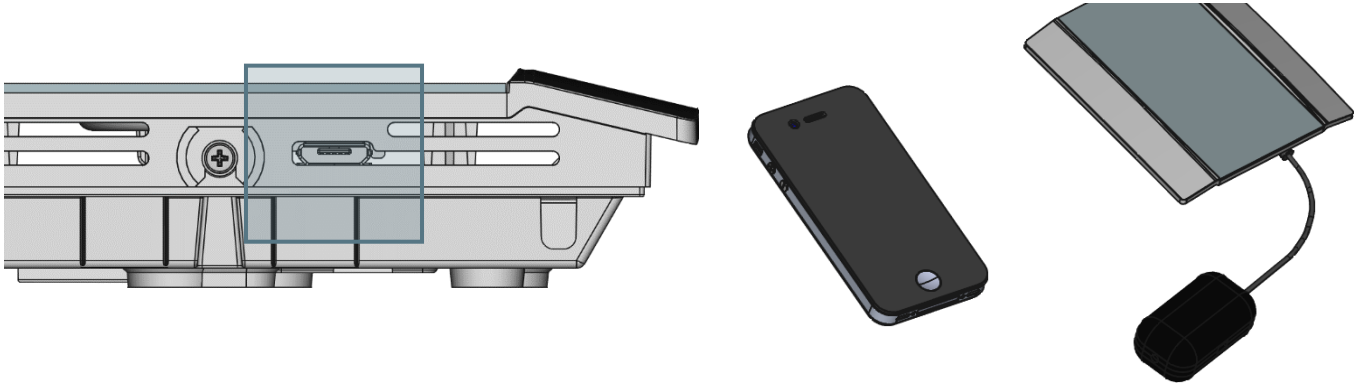
Application-specific reconfiguration of the devices can be performed using the Thermokon NOVOSapp. The configuration performed in voltage-supplied state.



The configuration-app and the app description can be found in the Google Play Store or in the Apple App Store.

On the bottom there is the micro USB port for the Bluetooth dongle

If the Bluetooth dongle is connected to the device, the device can be configured via Bluetooth with the NOVOSapp



» CONNECTION PLAN

The following connection diagrams show the assignment of measuring values to analog outputs in factory default. Output variables reconfigurable via Thermokon NOVOSapp.

Room sensor CO2 + VOC – active 2x 0..10 V | 2x 4..20 mA

NOVOS 3 CO2 + VOC VV

| | |
|--------|--------------------------|
| —AOU1— | VOC 0..10 V |
| —AOU1— | CO2 0..10 V |
| —GND— | 0 V⊥ |
| —UB+— | 15..35 V = or 19..29 V ~ |

NOVOS 3 CO2 + VOC AA

| | |
|--------|----------------|
| —AOI1— | VOC 4..20 mA |
| —AOI1— | CO2 4..20 mA |
| —GND— | 0 V⊥ |
| —UB+— | 15..35 V = |

Room sensor CO2 + VOC + temperature – active 3x 0..10 V | 3x 4..20 mA

NOVOS 3 CO2 + VOC + Temp 3xV

| | |
|--------|--------------------------|
| —AOU3— | Temperature 0..10 V |
| —AOU2— | VOC 0..10 V |
| —AOU1— | CO2 0..10 V |
| —GND— | 0 V⊥ |
| —UB+— | 15..35 V = or 19..29 V ~ |

NOVOS 3 CO2 + VOC + Temp 3xA

| | |
|--------|------------------------|
| —AOI3— | Temperature 4..20 mA |
| —AOI2— | VOC 4..20 mA |
| —AOI1— | CO2 4..20 mA |
| —GND— | 0 V⊥ |
| —UB+— | 15..35 V = |

Room sensor CO2 + VOC + temperature + humidity – active 4x 0..10 V | 4x 4..20 mA

NOVOS 3 CO2 + VOC + Temp_rH 4xV

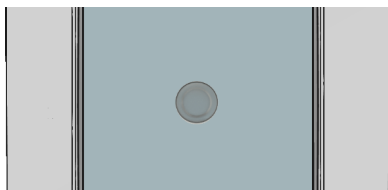
| | |
|--------|--------------------------|
| —AOU4— | Temperatur 0..10 V |
| —AOU3— | Humidity 0..10 V |
| —AOU2— | VOC 0..10 V |
| —AOU1— | CO2 0..10 V |
| —GND— | 0 V⊥ |
| —UB+— | 15..35 V = or 19..29 V ~ |

NOVOS 3 CO2 + VOC + Temp_rH 4xA

| | |
|--------|-----------------------|
| —AOI4— | Temperatur 4..20 mA |
| —AOI3— | Humidity 4..20 mA |
| —AOI2— | VOC 4..20 mA |
| —AOI1— | CO2 4..20 mA |
| —GND— | 0 V⊥ |
| —UB+— | 15..35 V = |

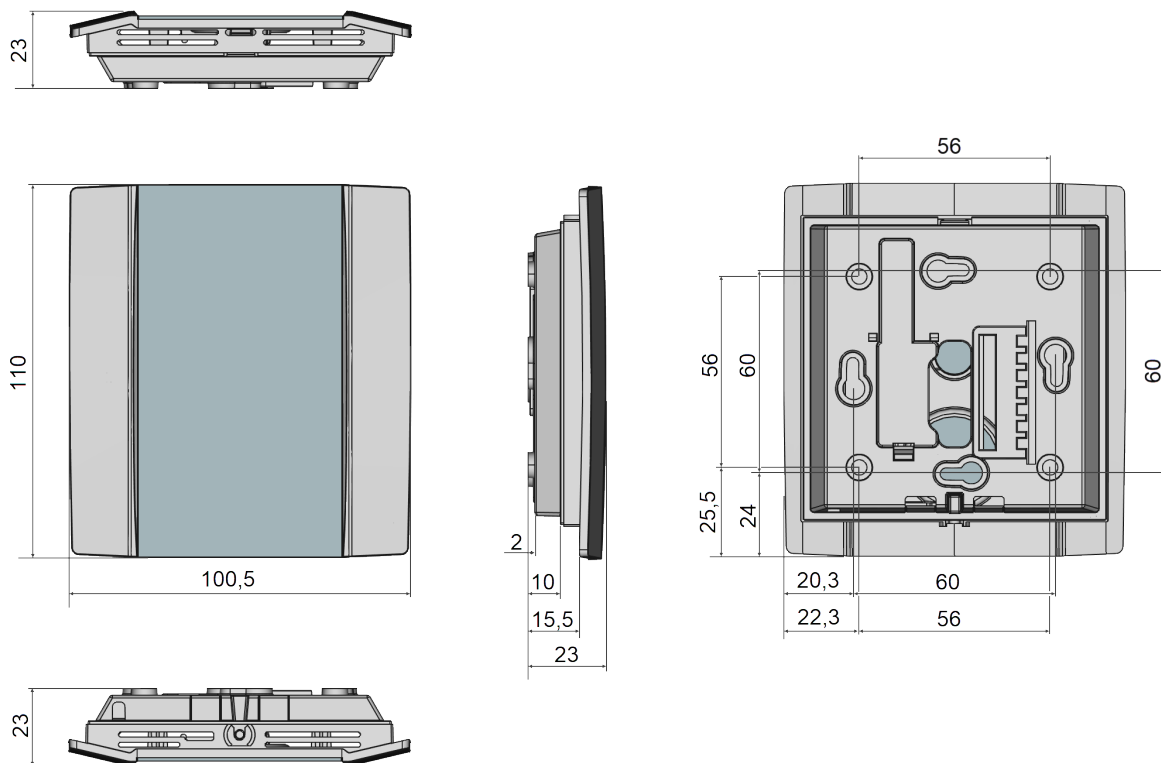
» **TLF – TRAFFIC LIGHT FUNCTION (OPTIONAL)**

The LED visualizes the air quality value (Thresholds optionally configurable via Thermocon NOVOSapp).



| CO2 (factory default) | Behavior of the LED |
|-----------------------|-------------------------|
| 0..750 ppm | LED lights up in green |
| 751..1250 ppm | LED lights up in yellow |
| 1251..2000 ppm | LED lights up in red |

» **DIMENSIONS (MM)**



» **ACCESSORIES (OPTIONAL)**

- Rawplugs and screws (2 pcs. each)
- Frame for surface mounting NOVOS 3
- Bluetooth dongle
- PSU-UP24 – flush mount power supply 24 V (AC Input: 100..240 V ~ | DC Output 24 V = 0,5 A)

- Item No. 102209
- Item No. 634472
- Item No. 668262
- Item No. 645737